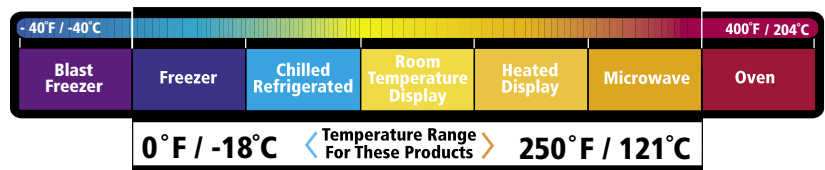
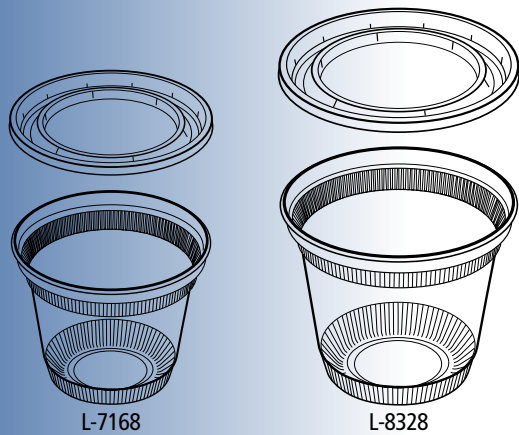




Features Benefits

Leak resistant deli seal	Maintains food quality and helps prevent messy leaks and spills
Stackable lids & bases	Provide secure nesting and stacking for various merchandising settings and helps secure product in place during transportation
Exceptional temperature endurance	Allows for a variety of food applications, both hot and cold. Can be stored in freezer, refrigerated or microwaved
Clear container design	Makes product identification simple
Smoothwall design	Provides adequate surface area for easy and secure label placement
Variety of sizes	Allow products to be used in a multitude of applications



PP (0°F/18°C - 250°F/121°C)

These guidelines are supplied to assist you in determining the proper use of Newspring/Pactiv products. They are based upon testing and published guidelines and are reliable in most applications. However, because every food supplier's recipes, ingredients, processes and supply chain is unique, these guidelines are not a substitute for product testing. Confirmation of product acceptability under your specific conditions of use must be done by you.

Product Specifications

Product #	Description	Dimensions	Case Pack	Case Cube	Case Weight (lbs.)	Pallet Count	UPC-A Code
Squat DELItainer Packaging							
L-7168	16 oz. Clear Squat Combo Pack NEW	4.55" dia x 3.9"	200 ea.	2.47	18.85	30	696599 07168 4
L-8328	32 oz. Clear Squat Combo Pack	5.5" dia x 4.9"	200 ea.	3.76	30	16	696599 08328 1

www.newspring.com www.pactiv.com
 888.723.1168 800.476.4300

Carry-Out Packaging • Reheatable Packaging • Catering Products
 Prep & Serve Packaging • Serve & Carry Trays • Bakery Carry-Out
 Packaging • Tableware • Beverage Packaging • Packaging
 Technology / Processor Packaging • Supermarket Trays

Newspring / 35 O'Brien Street / Kearny, NJ 07032
 Pactiv/1900 West Field Court / Lake Forest, IL 60045
 3471 McNicoll Avenue / Scarborough, Ontario M1V 4B8 / Canada / 800.387.3282

PACTIV
 Advanced Packaging Solutions

10/05xM Lit # x-xxxXX
 © PACTIV Corporation 2005

Ⓢ Kosher